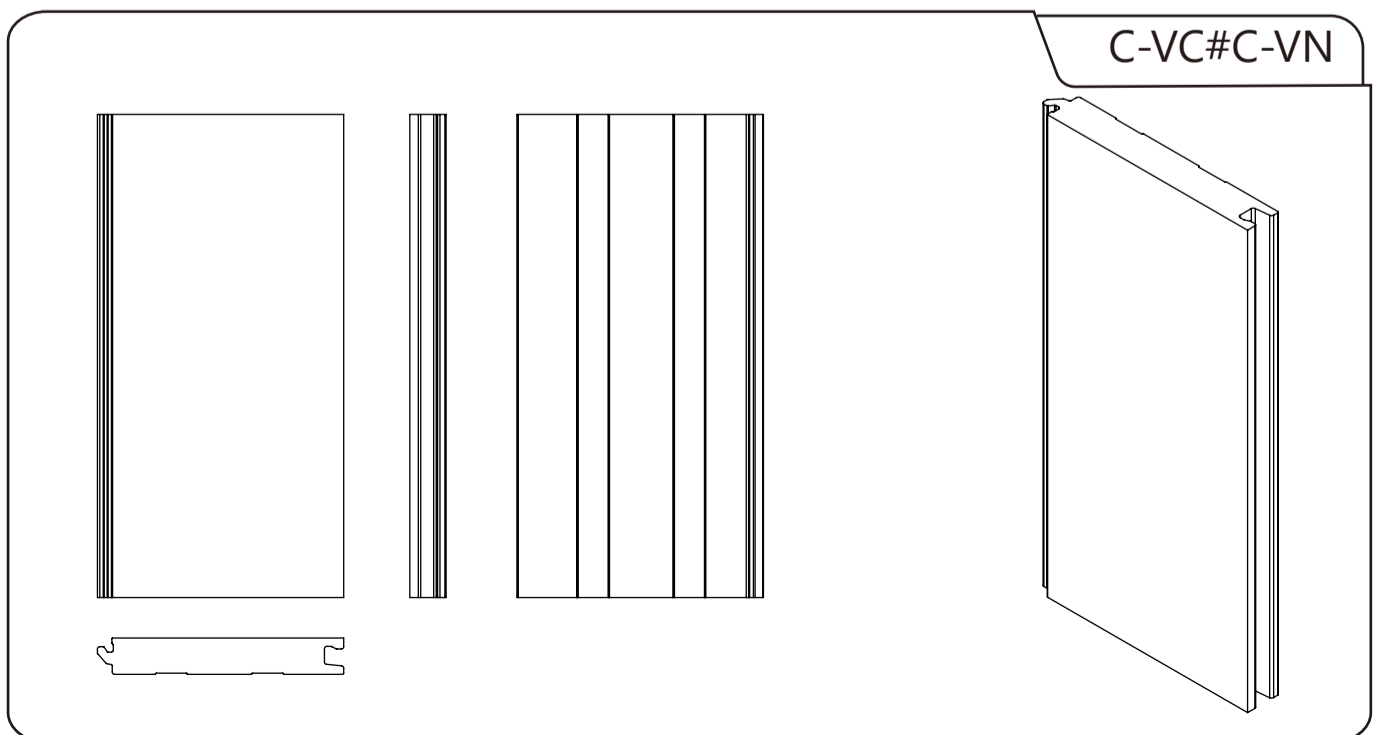
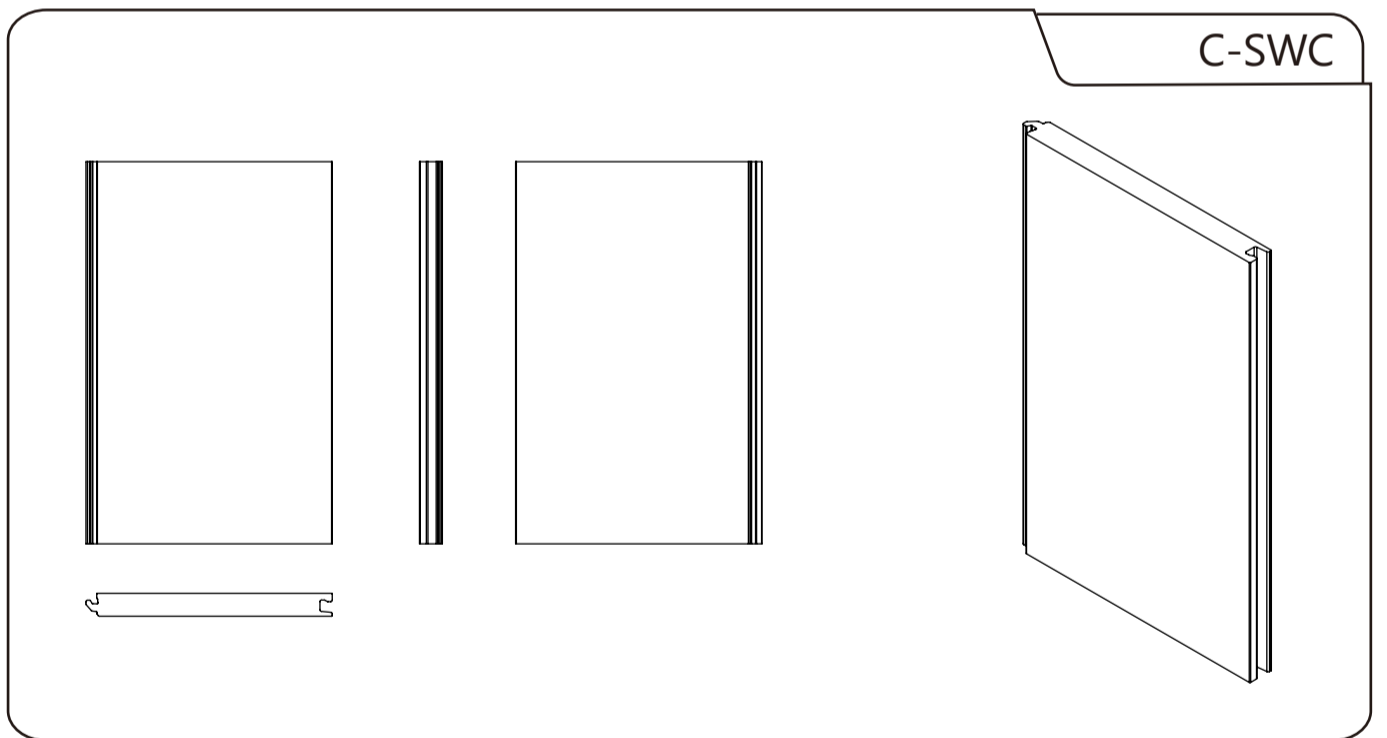
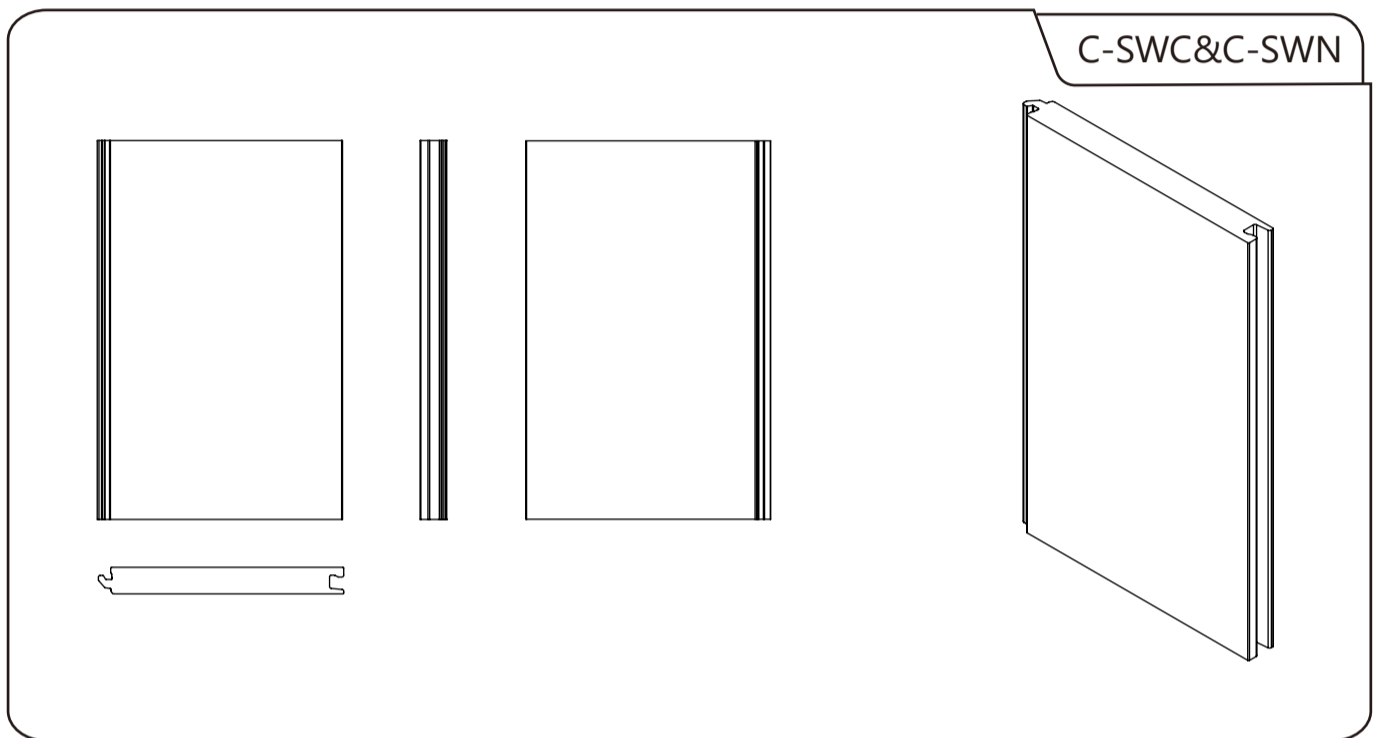
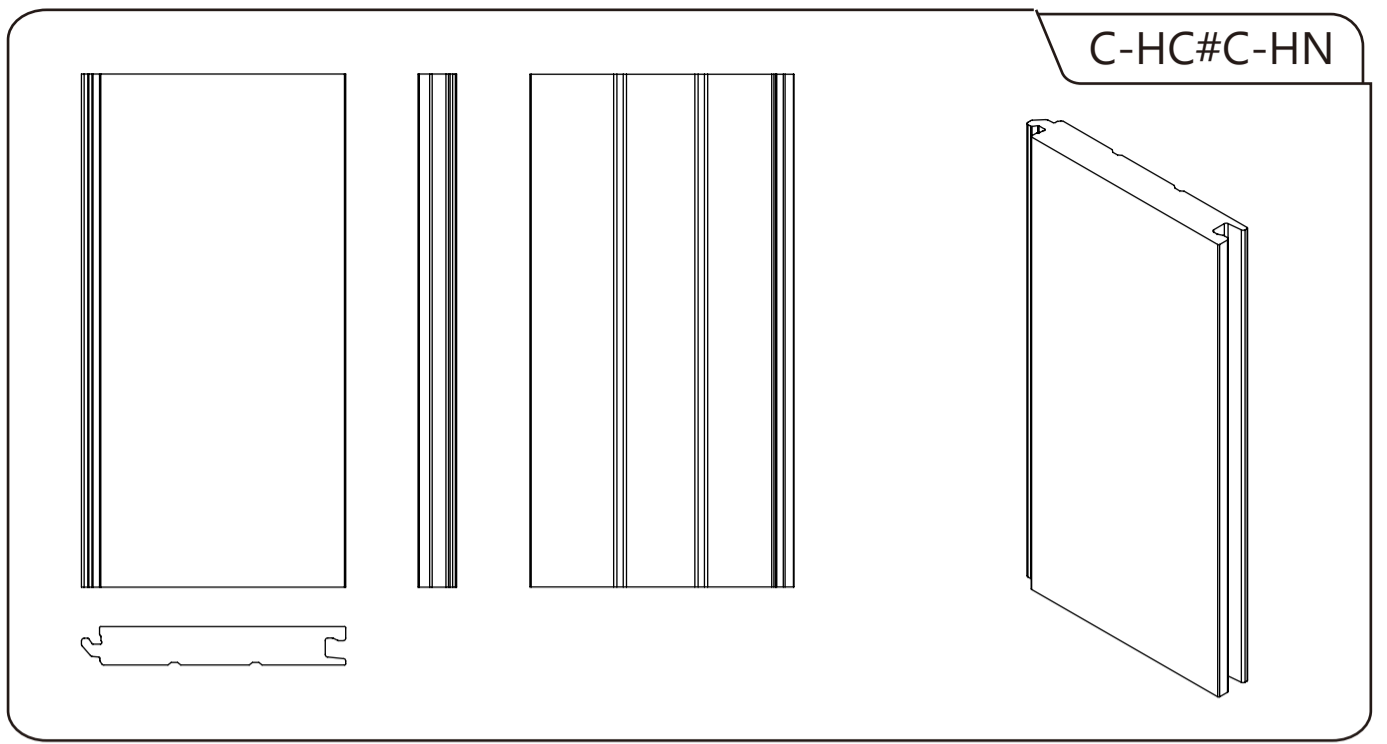


Indoor Flooring



Technical Data

Density: +/-700kg/m; +/-1050kg/m

Formaldehyde emission: Class E1 (Not Detected, EN717-2)

Content of Pentachlorophenol: (<0.5ppm, EN14823)

Thermal conductivity: 0.15W/mk (EN12524)

Water absorption and thickness swelling:

Mean water absorption: 8.9% Mean thickness swelling: 1.0% (ASTM D1037:2012)

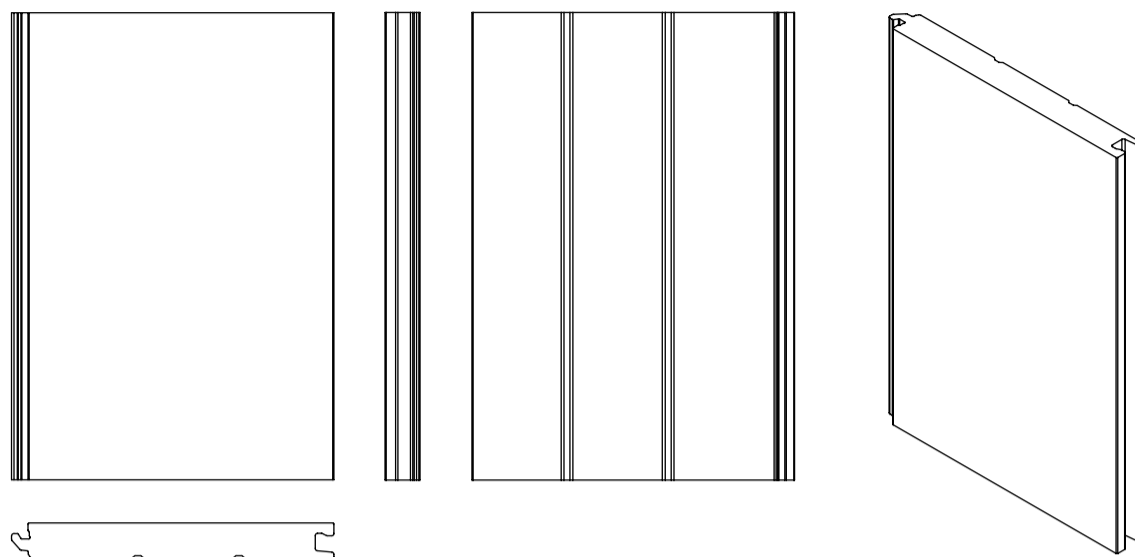
Linear expansion with change in moisture content: 0.1% (calculated between 50% and 90% relative humidity) (ASTM D1037:2012)

Reaction to fire: Up to Bf-1-s1 (EN13501-1-2007) on request

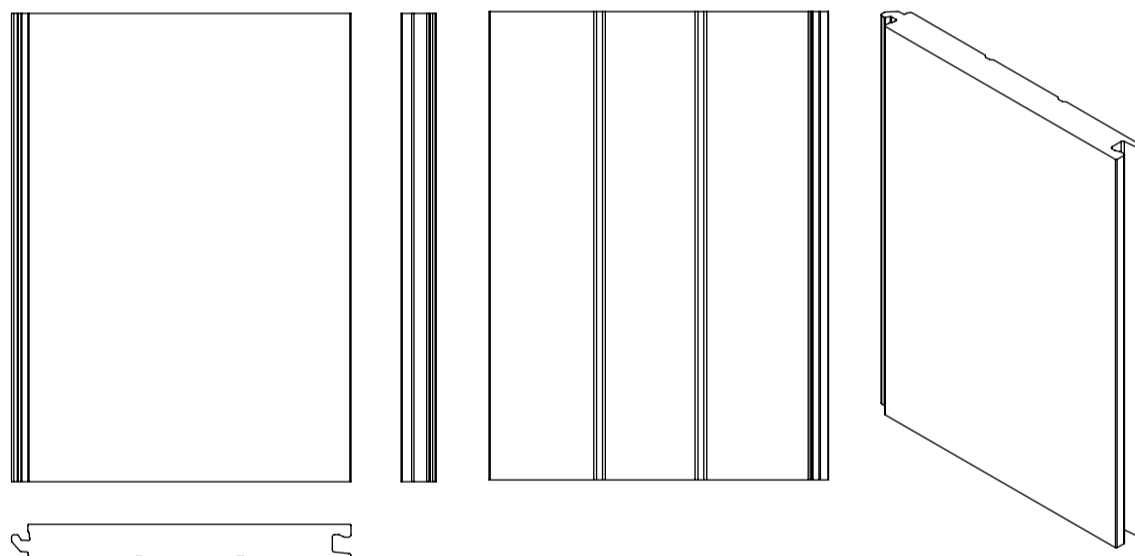
FSC: Products available with FSC certification on request

Indoor Flooring

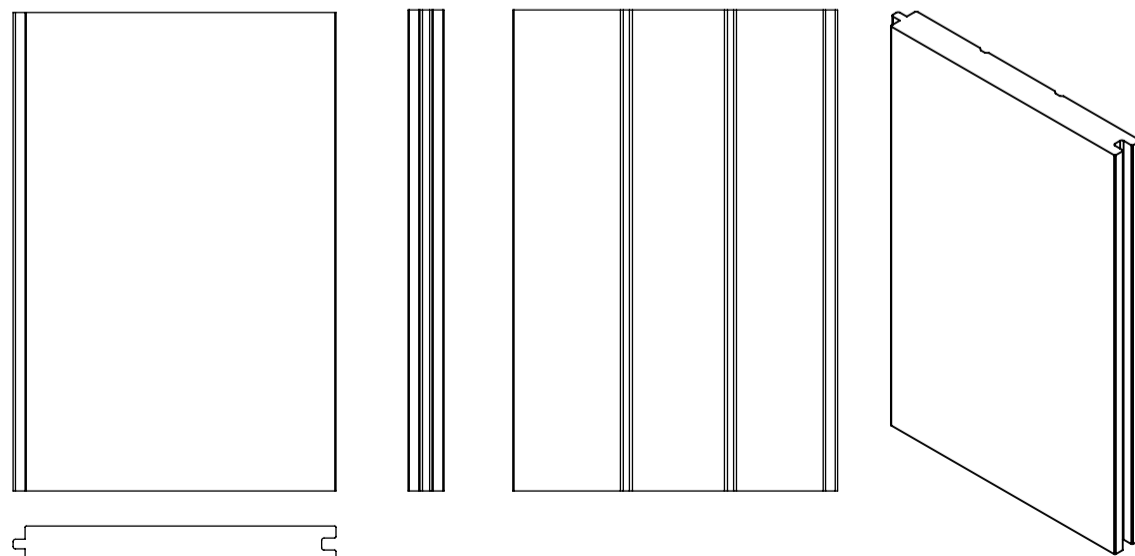
C-VC



V-VC



N-VC-D



Technical Data

Density: +/-700kg/m; +/-1050kg/m

Formaldehyde emission: Class E1 (Not Detected, EN717-2)

Content of Pentachlorophenol: (<0.5ppm, EN14823)

Thermal conductivity: 0.15W/mk (EN12524)

Water absorption and thickness swelling:
Mean water absorption: 8.9% Mean thickness swelling: 1.0% (ASTM D1037:2012)

Linear expansion with change in moisture content: 0.1% (calculated between 50% and 90% relative humidity) (ASTM D1037:2012)

Reaction to fire: Up to Bf-1-s1 (EN13501-1-2007) on request

FSC: Products available with FSC certification on request